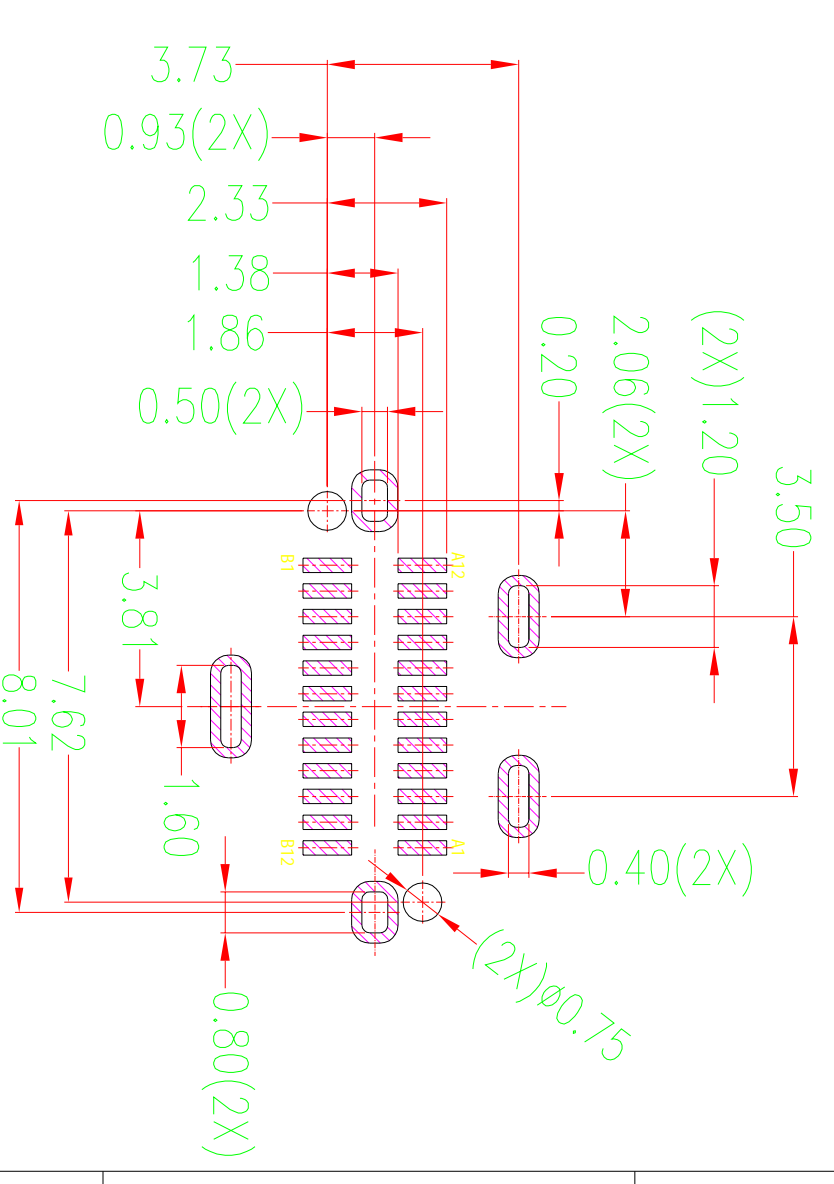
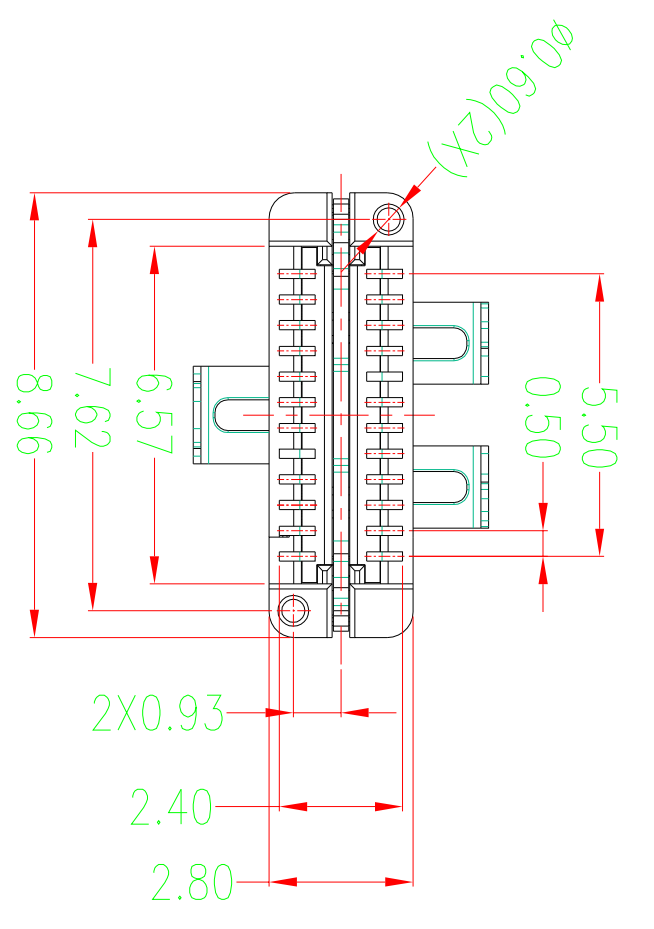
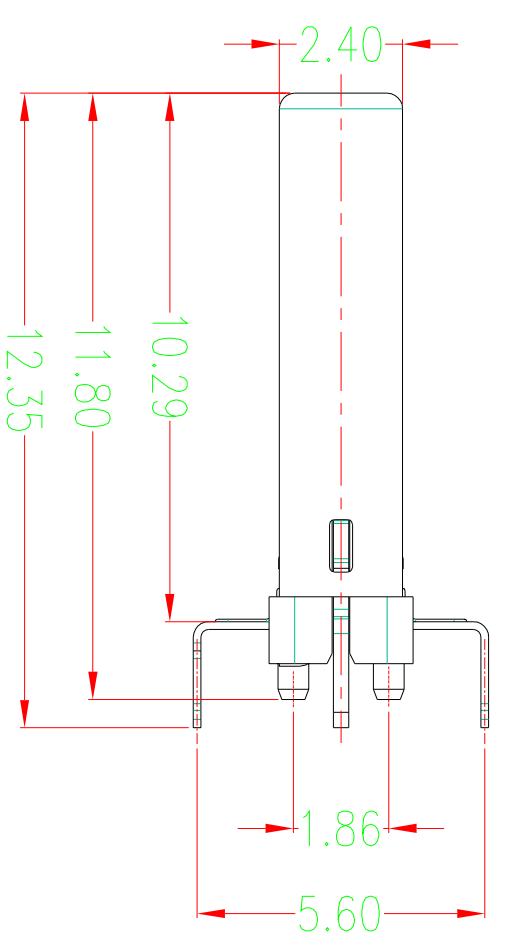
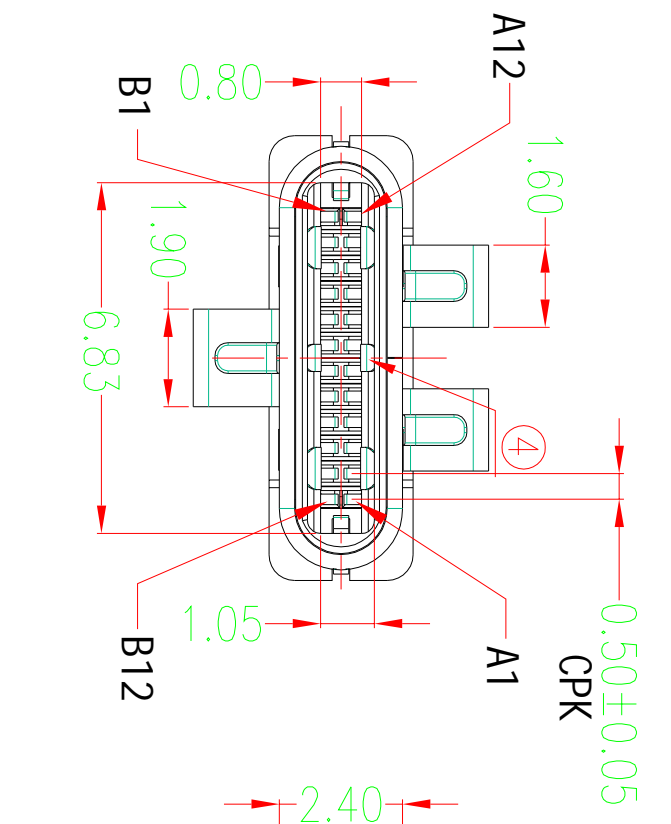
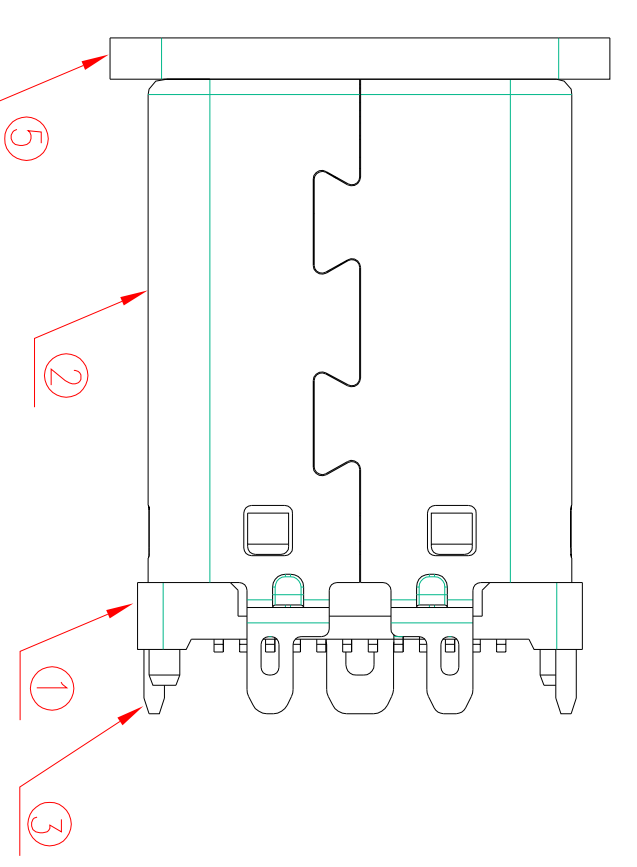
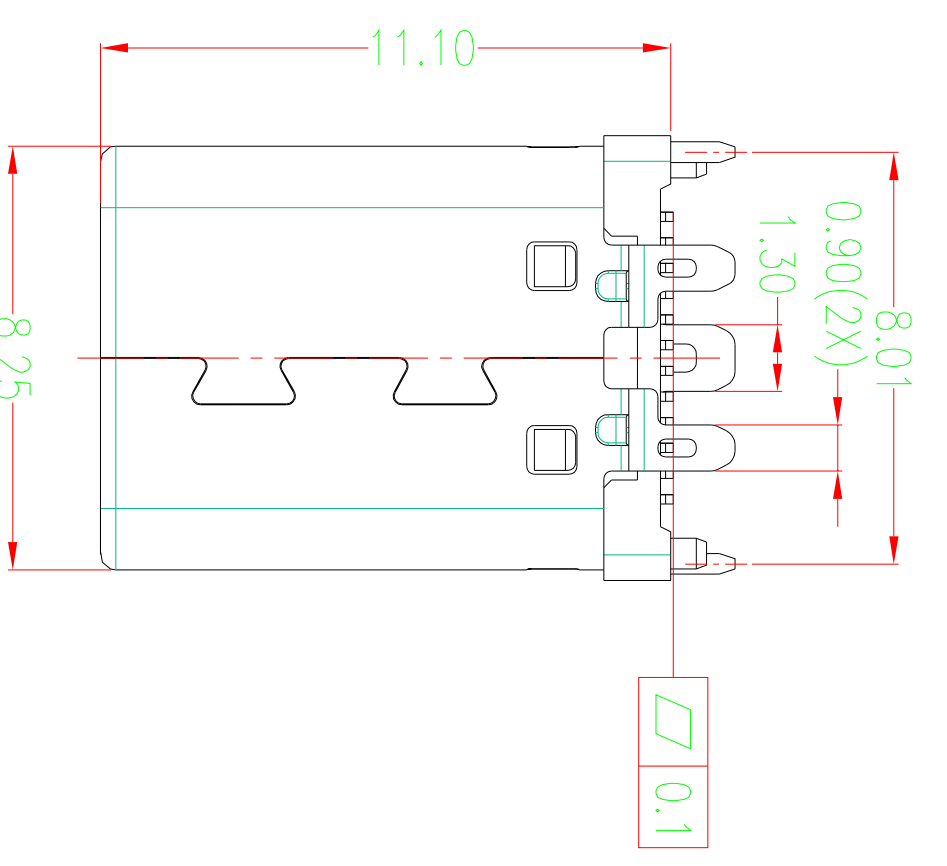


REV.	ECN NO.	DESCRIPTION	DRAW	APPD.	DATE
A	---	新版本发行	Tanghaibo	DMX	2016.11.05
A1	---	胶芯加胶	Tanghaibo	Hank Pei	2017.08.14



- NOTES:
SPECIFICATION:
- CURRENT RATING: 3.0A MAX
 - VOLTAGE: 100 VAC
 - TEMPERATURE RANGE: -30 °C ~ 85 °C
 - CONTACT RESISTANCE: 40 MILLIONHM MAX
 - INSULATION RESISTANCE: 100 MEGOHMS MIN.
 - INSERTION FORCE : 5N~20N
 - UNMATING FORCE: 8N~20N
 - DURABILITY: 10,000 CYCLES

RECOMMENDED PCB LAYOUT(L=0.80±0.05)
COMPONENT SIDE(GENERAL TOLERANCE:±0.05)

A1	GND	B12	GND
A2	SSTXP1	B11	SSRXP1
A3	SSTXN1	B10	SSRXN1
A4	VBUS	B9	VBUS
A5	CC1	B8	SBU2
A6	DP1	B7	DN2
A7	DN1	B6	DP2
A8	SBU1	B5	CC2
A9	VBUS	B4	VBUS
A10	SSRXN2	B3	SSTXN2
A11	SSRXP2	B2	SSTXP2
A12	GND	B1	GND

5	COVER	HIGH TEMPERATURE PLASTIC	1PCS
4	SPRING	STAINLESS STEEL	2PCS
3	LATCH	STAINLESS STEEL	1PCS
2	SHELL	STAINLESS STEEL	1PCS
1	TERMINAL HOUSING	HIGH TEMPERATURE PLASTIC	2PCS

TOLERANCE		NAME(INTENDED USE) CUSTOMER DRAWING	
X.X	±0.30	X.°	± 2°
.XX	±0.20	.X°	± 1°
.XXX	±0.10	.XX°	±0.5°
UNITS		APPD:	
MATERILA		CHED:	
FINISH		DRAW:	

PART NO.		TITLE:	
5001-014001020-132		USB C M TYPE 直立式外壳3支脚	
DRAWG NO.		DRAWG NO.	
0140-1320		0140-1320	

SCALE	SHEET	REV.
1:1	1/1	A1

